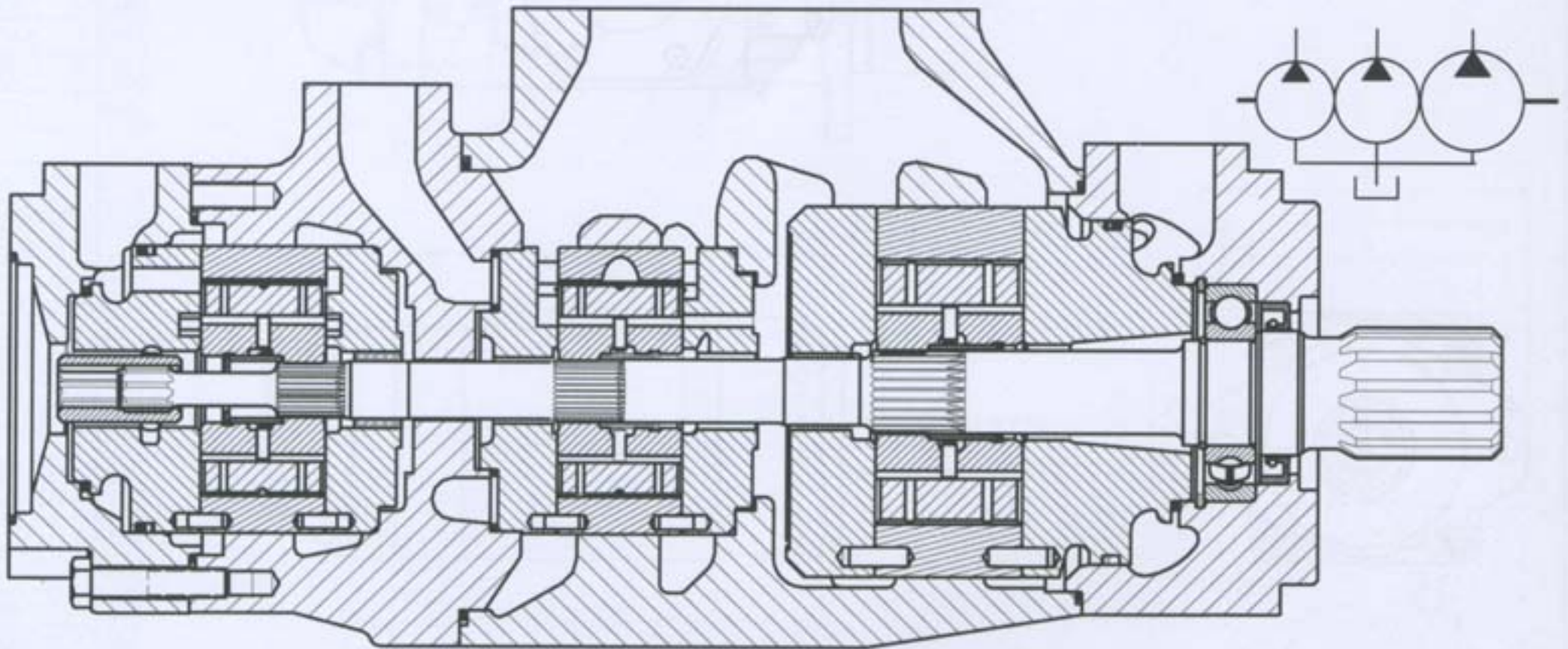




(T6EDCR)

带尾驱动的三联叶片泵

T6DCCR, T6EDCR 系列



型号说明 ..... 示例: T6EDCR-072-042-020-1R00-A1F0

1. **T6EDCR-072-042-020-1R00-A1F0** ..... 系列号

系列	T6DCCR	T6EDCR
----	--------	--------

2. **T6EDCR-072-042-020-1R00-A1F0** ..... 泵芯规格

T6C		T6D		T6E	
003	10.8	014	47.6	042	132.3
005	17.2	017	58.2	045	142.4
006	21.3	020	66.0	050	158.5
008	26.4	024	79.5	052	164.8
010	34.1	028	89.7	057	179.8
012	37.1	031	98.3	062	196.7
014	46.0	035	111.0	066	213.3
017	58.3	038	120.3	072	227.1
020	63.8	042	136.0	085	269.0
022	70.3	045	145.7		
025	79.3	050	158.0		
028	88.8				
031	100.0				

3. **T6EDCR-072-042-020-1R00-A1F0** ..... 轴伸

4. **T6EDCR-072-042-020-1R00-A1F0** ..... 转向

顺时针	R
逆时针	L

5. **T6EDCR-072-042-020-1R00-A1F0** ..... 油口布置

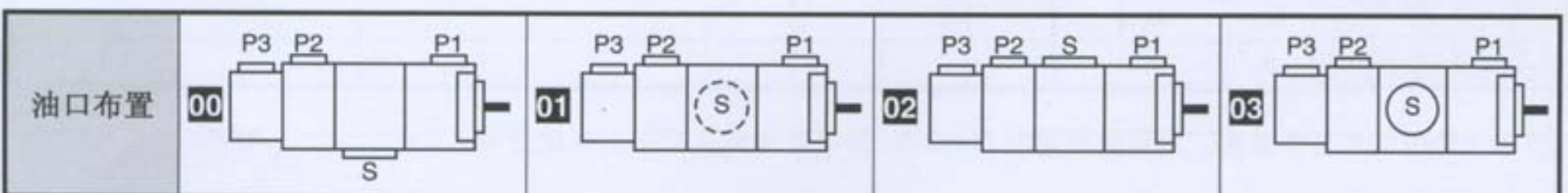
6. **T6EDCR-072-042-020-1R00-A1F0** ..... 设计号

7. **T6EDCR-072-042-020-1R00-A1F0** ..... 密封等级

丁腈橡胶: 矿物油	1
氟橡胶: 矿物油和阻燃液压油	5

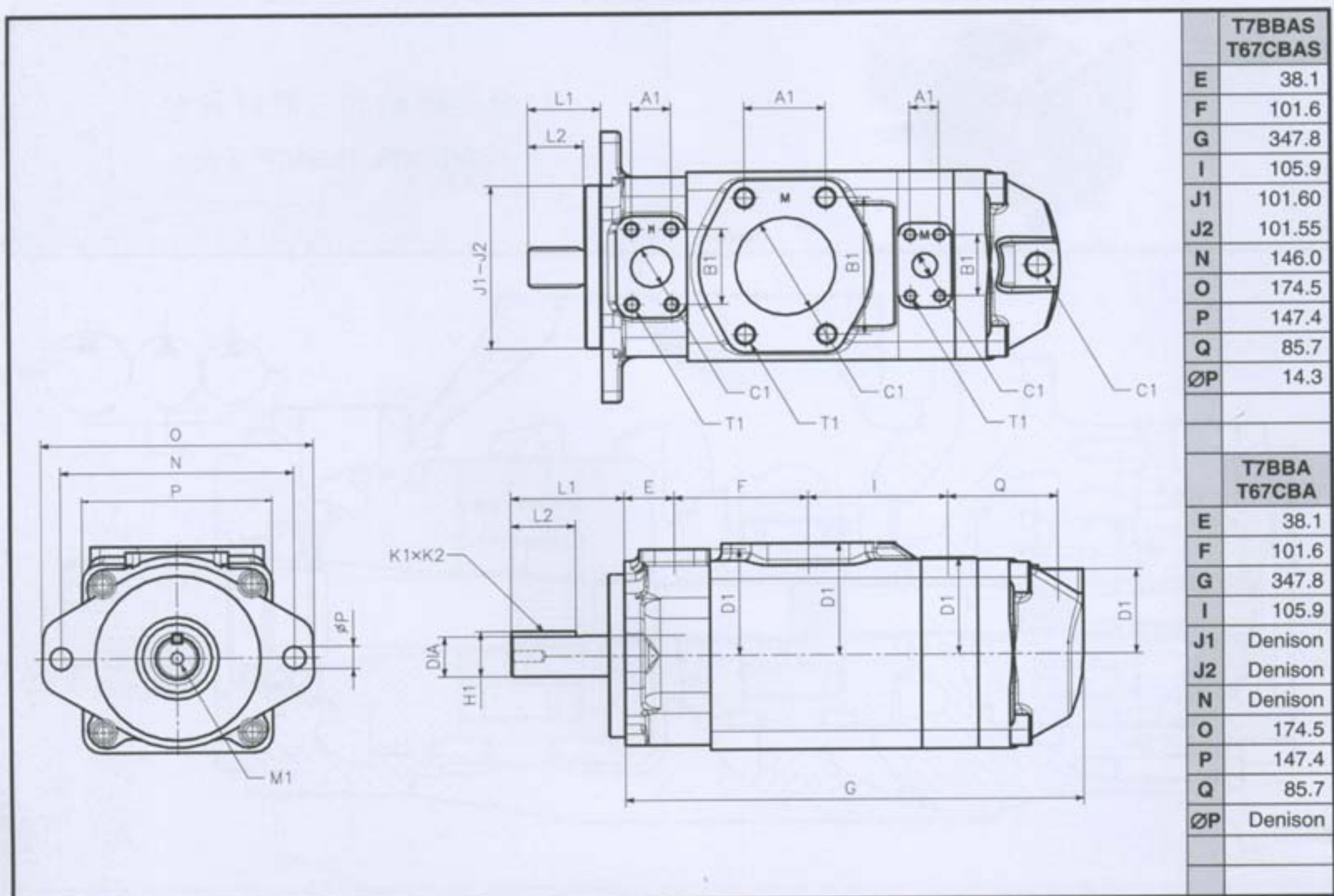
8. **T6EDCR-072-042-020-1R00-A1F0** ..... 备选项

		P3 = 3/4"	P3 = 1"
T6EDCR	法兰式安装	F1	F0
	支座安装	P1	P0
T6DCCR	法兰式安装	01	00





叶片泵 - 带尾驱动的三联叶片泵



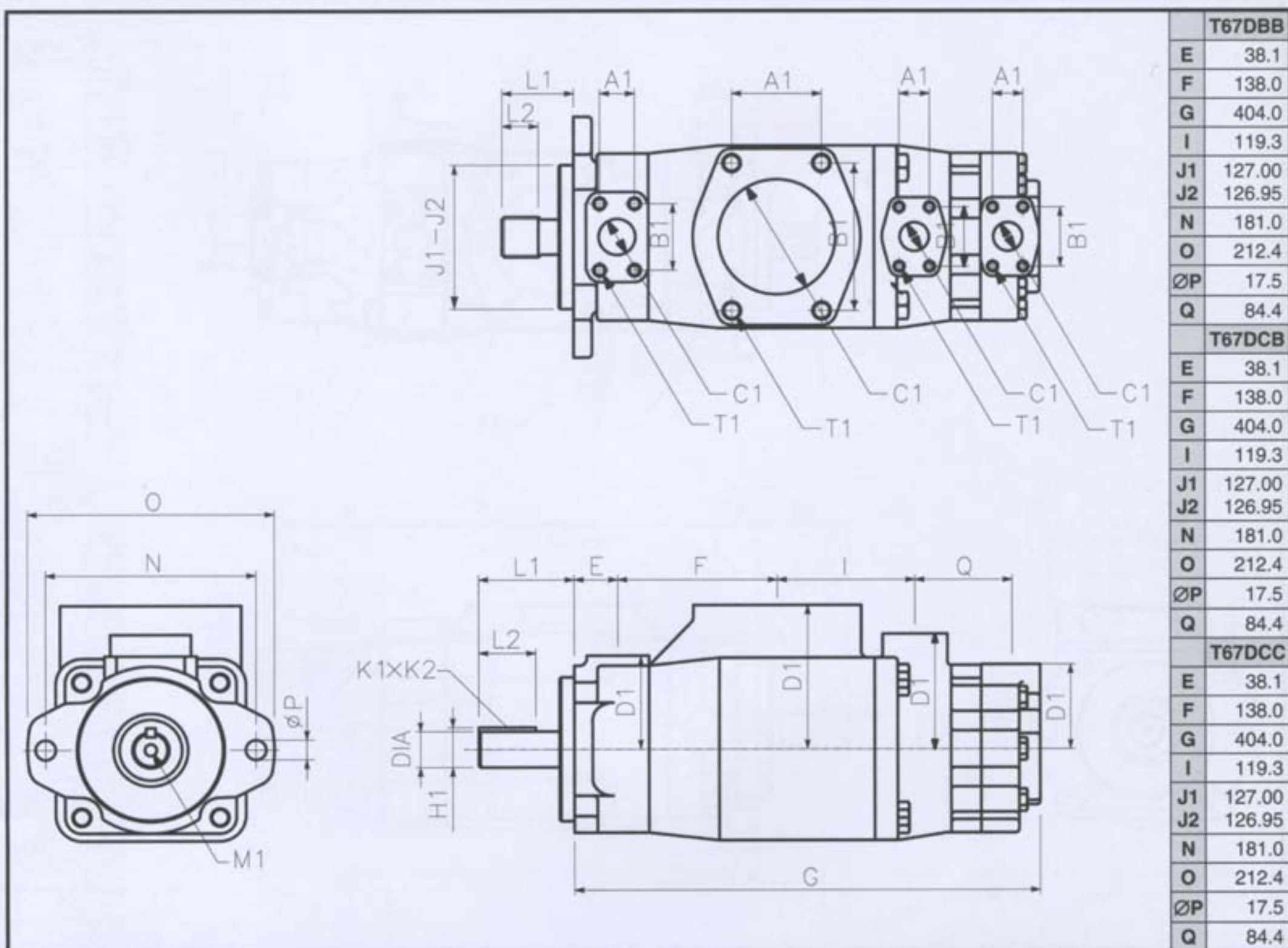
轴伸	最大扭矩 (Nm)		尺寸 (mm)					
	SAE T7BBAS T67CBAS	ISO T7BBA T67CBA	L1	L2	DIA	K1 x K2	H1	M1
1 平键: SAE-BB	●		71.4	38.1	25.400 - 25.370	6.35 x 6.30	28.22	M8 x 16.0
5 平键: ISO 3019/2 - G25M	●	●						
3 花键: SAE-BB	●		45.5	24.5	SAE J498b 1 级, 径节 16/32 - 15 牙			

油口			尺寸 (mm)						
			A1	B1	ØC1	D1	螺纹 T1		
							公制	UNC	
SAE	T7BBAS T67CBAS	P1	00-M0: 1" 01-M1: ¾"	22.2 26.2	47.7 52.4	19.0 25.4	76.2	M10 x 19.0	¾" - 16UNC x 19.0
		P2	¾"	22.2	47.7	19.0	80.7	M10 x 19.0	¾" - 16UNC x 19.0
		P3	SAE-8	-	-	SAE-8	-	-	-
		S	2 ½"	26.2	52.4	25.4	87.1	M12 x 22.4	½" - 13UNCx23.9
ISO	T7BBA T67CBA	P1	M0: 1" M1: ¾"						
		P2	¾"						
		P3	M18						
		S	2 ½"						

注: 以上数值均为初步数据。最新数据请向 Denison 公司查询或从产品上直接获取。



叶片泵 - 带尾驱动的三联叶片泵



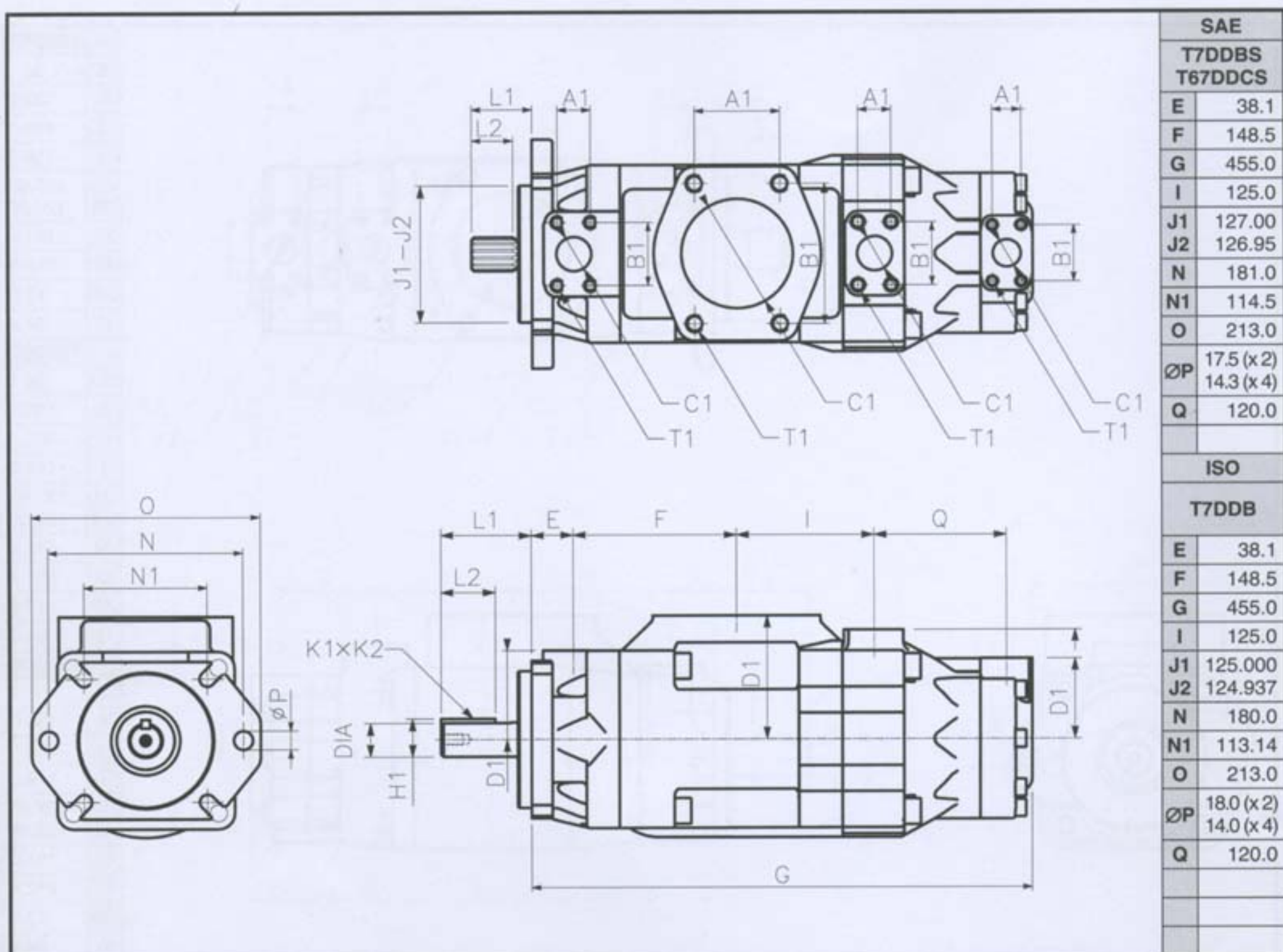
	T67DBB
E	38.1
F	138.0
G	404.0
I	119.3
J1	127.00
J2	126.95
N	181.0
O	212.4
ØP	17.5
Q	84.4
	T67DCB
E	38.1
F	138.0
G	404.0
I	119.3
J1	127.00
J2	126.95
N	181.0
O	212.4
ØP	17.5
Q	84.4
	T67DCC
E	38.1
F	138.0
G	404.0
I	119.3
J1	127.00
J2	126.95
N	181.0
O	212.4
ØP	17.5
Q	84.4

轴伸	最大扭矩 (Nm)		尺寸 (mm)					
	T67DBB T67DCB	T67DCC	L1	L2	DIA	K1 x K2	H1	M1
1 平键: 非 SAE (Ø31)	721	721	83.6	49.3	31.750 - 31.700	6.35 x 6.30	34.6	
2 平键: SAE CC (Ø38)	1108	1108	89.7	50.8	38.100 - 38.075	9.52 x 9.47	42.4	
3 花键: SAE C	1020	1020	55.2	38.0	SAE J498b 1 级, 径节 12/24 - 14 牙			
4 花键: SAE CC	1108	1108	61.0	31.5	SAE J498b 1 级, 径节 12/24 - 17 牙			
6 花键: 非 SAE		●	76.0	48.0	SAE J498b 1 级, 径节 12/24 - 14 牙			

油口			尺寸 (mm)						
			A1	B1	ØC1	D1	法兰安装螺纹 T1		
							公制	UNC	
SAE	T67DBB T67DCB	P1	1 1/4"	30.2	58.7	31.8	82.6	M12 x 22.3	7/16"-14UNC x 22.3
		P2	1"	26.2	52.4	25.0	101.6	M10 x 19.0	3/8"-16UNC x 19.0
		P3	3/4"	22.2	47.7	19.0	74.7	M10 x 19.0	3/8"-16UNC x 19.0
		S	4"	77.8	130.2	101.6	127.0	M16 x 30.0	5/8"-11UNC x 30.0
	T67DCC	P1	1 1/4"	30.2	58.7	31.8	82.6	M12 x 22.3	7/16"-14UNC x 22.3
		P2	1"	26.2	52.4	25.0	101.6	M10 x 19.0	3/8"-16UNC x 19.0
		P3	M1-01: 3/4"	22.2	47.7	19.0	74.7	M10 x 19.0	3/8"-16UNC x 19.0
			M0-00: 1"	26.2	52.4	25.4			
S	4"	77.8	130.2	101.6	127.0	M16 x 30.0	5/8"-11UNC x 30.0		



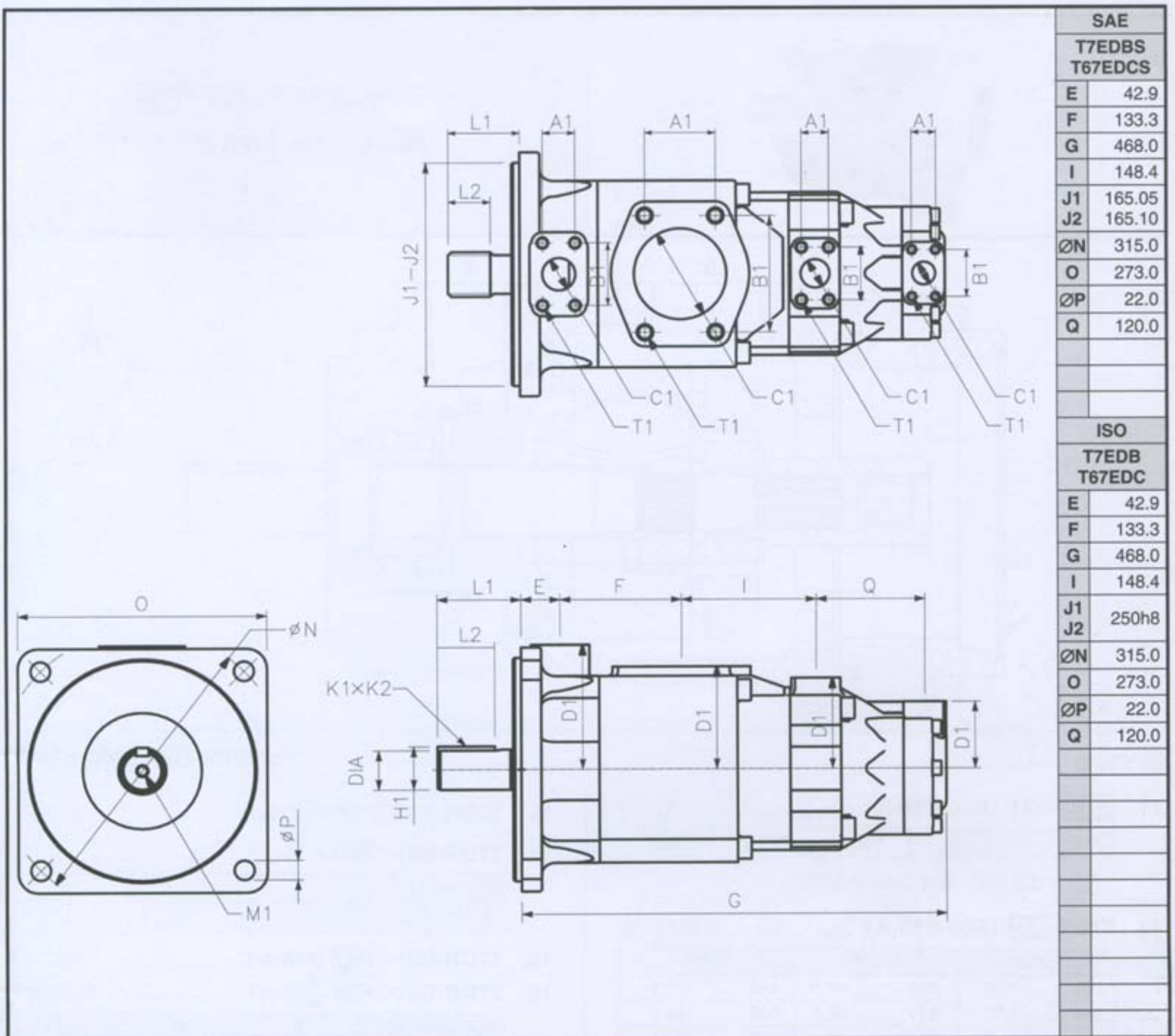
叶片泵 - 带尾驱动的三联叶片泵



轴伸	最大扭矩 (Nm)		尺寸 (mm)					
	T7DDBS T67DDCS	T7DDB	L1	L2	直径	K1 x K2	H1	M1
1 平键: SAE-C	686		84.0	49.3	31.750 - 31.700	7.94 x 7.89	35.27	M10 x 20
2 平键: SAE-CC	1148		91.0	50.8	38.100 - 38.050	9.52 x 9.47	42.36	M10 x 20
5 平键: 非 SAE	883		84.0	60.0	34.900 - 34.850	7.94 x 7.89	38.42	M10 x 20
		843	68.0	50.0	38.018 - 38.002	10.0 x 8.0	41.0	M10 x 20
3 花键: SAE-C	971		56.0	38.0	SAE J498b 1级, 径节 12/24 - 14 牙			
4 花键: SAE CC	1056		46.0	31.5	SAE J498b 1级, 径节 12/24 - 17 牙			

油口		尺寸 (mm)							
		A1	B1	ØC1	D1	法兰安装螺纹 T1			
						公制	UNC		
SAE	T7DDBS	P1	1 1/4"	30.2	58.7	31.8	82.6	M12 x 22.3	7/16" - 14UNC x 22.3
		P2	1 1/4"	30.2	58.7	31.8	101.6	M12 x 24.0	7/16" - 14UNC x 24.0
		P3	M1-01: 3/4"	22.2	47.7	19.0	74.7	M10 x 19.0	3/8" - 16UNC x 19.0
		S	4"	77.8	130.2	101.6	115.0	M16 x 30.0	5/8" - 11UNC x 30.0
	T67DDCS	P1	1 1/4"	30.2	58.7	31.8	82.6	M12 x 22.3	7/16" - 14UNC x 22.3
		P2	1 1/4"	30.2	58.7	31.8	101.6	M12 x 24.0	7/16" - 14UNC x 24.0
		P3	M1-01: 3/4" M0-00: 1"	22.2 26.2	47.7 52.4	19.0 25.4	74.7	M10 x 19.0	3/8" - 16UNC x 19.0
		S	4"	77.8	130.2	101.6	115.0	M16 x 30.0	5/8" - 11UNC x 30.0
ISO	T7DDB	P1	1 1/4"	30.2	58.7	31.8	82.6	M12 x 22.3	-
		P2	1 1/4"	30.2	58.7	31.8	101.6	M12 x 24.0	-
		P3	M1: 3/4" M0: 1"	22.2 26.2	47.7 52.4	19.0 25.4	74.7	M10 x 19.0	-
		S	4"	77.8	130.2	101.6	115.0	M16 x 30.0	-





SAE	
T7EDBS T67EDCS	
E	42.9
F	133.3
G	468.0
I	148.4
J1	165.05
J2	165.10
ØN	315.0
O	273.0
ØP	22.0
Q	120.0
ISO	
T7EDB T67EDC	
E	42.9
F	133.3
G	468.0
I	148.4
J1	250h8
J2	250h8
ØN	315.0
O	273.0
ØP	22.0
Q	120.0

轴伸		最大扭矩 (Nm)		尺寸 (mm)					
		T7EDBS T67EDCS	T7EDB T67EDC	L1	L2	DIA	K1 x K2	H1	M1
1	平键: ISO3019 - G45N		1819	92.0	63.0	45h7	14h8	48.5	M12 x 24.0
2	平键: SAE D & E	1878		100.0	63.5	44.450 - 44.400	11.11 x 11.06	49.3	½"UNCx24.0
3	花键: SAE D & E	2013		75.0	48.8	SAE J498b 1级, 径节 8/16 - 13 牙			

油口			尺寸 (mm)						
			A1	B1	ØC1	D1	螺纹 T1		
							公制	UNC	
SAE	T7EDBS T67EDCS	P1	1 ½"	35.7	69.8	37.1	139.7	M12 x 30.0	½" - 13UNC x 30.0
		P2	1 ¼"	30.2	58.7	31.8	101.6	M12 x 24.0	7/16" - 14UNC x 24.0
		P3	M1-01: ¾" M0-00: 1"	22.2 26.2	47.7 52.4	19.0 25.4	74.7	M10 x 19.0	¾" - 16UNC x 19.0
		S	4"	77.8	130.2	101.6	115.0	M16 x 30.0	5/8" - 11UNC x 30.0
ISO	T7EDB T67EDC	P1	1 ½"	35.7	69.8	37.1	139.7	M12 x 30.0	-
		P2	1 ¼"	30.2	58.7	31.8	101.6	M12 x 24.0	-
		P3	M1-01: ¾" M0-00: 1"	22.2 26.2	47.7 52.4	19.0 25.4	74.7	M10 x 19.0	-
		S	4"	77.8	130.2	101.6	115.0	M16 x 30.0	-